


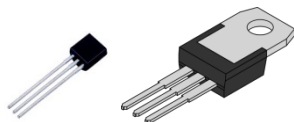
I-AN TEMPERATURE MEASUREMENT WITH LM35

Required knowledge -

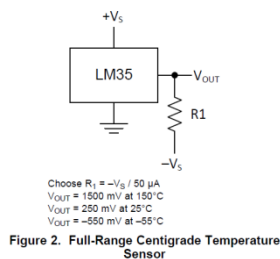
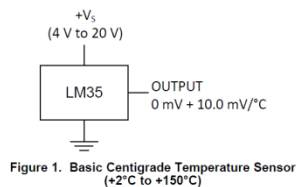
	LM35 datasheet – LM35DT datasheet – LM35 vs MCP9700
---	---

The LM35DT is a cheap temperature sensor that can be directly connected to a microcontroller. This sensor is suitable to measure temperature between +2°C and +150°C. Refer to the datasheet of the LM35 for more info.

LM35DT temperature sensor	LM35DT Farnell: 1469235
---------------------------	-------------------------

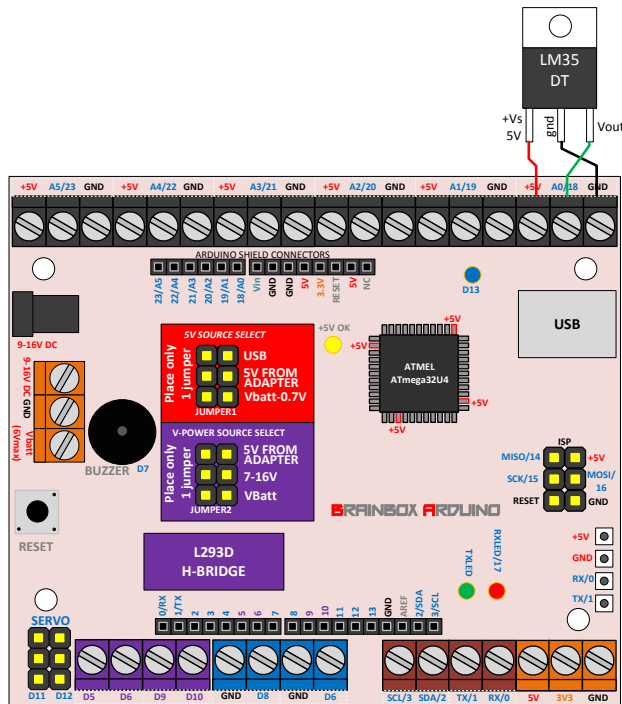


The LM35 is available in the small TO92 package or in the more firm TO220 package. This is the one that we use here because we can screw firmly to any object that we want to measure.



The output voltage of the LM35 rises with 10mV for every degree Celsius. You can also use this sensor for negative temperatures, but then you need to use the schematic on the right.

1. Connect the sensor to one of the 6 analog inputs (A0, A1, A2, A3, A4, A5)



CODE EXAMPLE: 'I-AN'