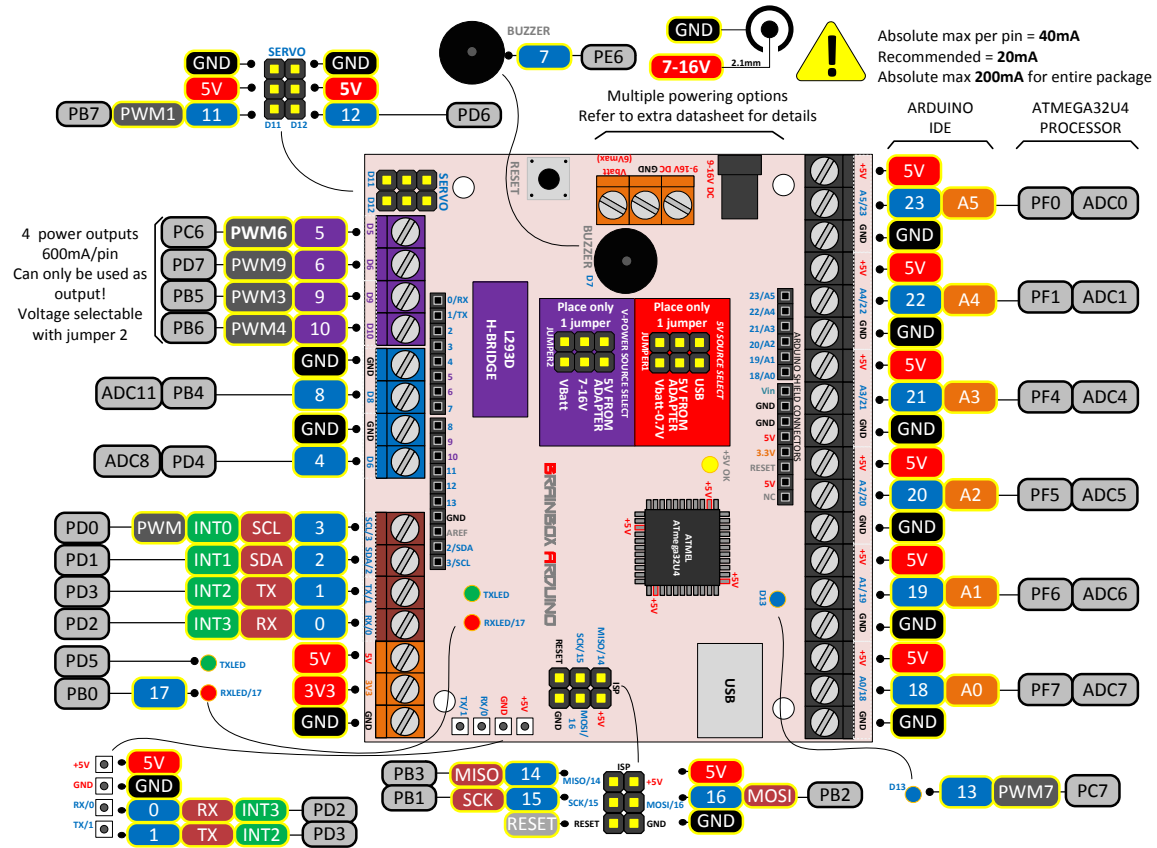






O-20 – DRIVING LOADS UP TO 20mA



All pins marked with this “  ” -symbol can be used as digital output.

Be aware that Arduino IDE uses a inconvenient way of naming the pins. The Arduino pin name is displayed in the  -symbol.

Flowcode and all the other programming languages use the official pin names. These official pin names are displayed in the gray rectangles: 

 are ‘power output pins’. These pin scan be used as digital output pins but be aware that the voltage at these pin scan exceed 5V. This voltage needs to be set with jumper 2. Refer to the schematic.

General knowledge about digital outputs:

1. We will limit the current for each pin to 20mA/pin and to 100mA if you add all IO pin currents together.
2. For higher currents use “O-600” or “O-POWER” .
3. Be careful and measure the current to your load before you connect it to a IO pin. To high current can destroy the pin or the whole uC.