
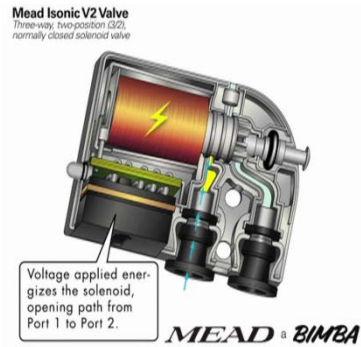
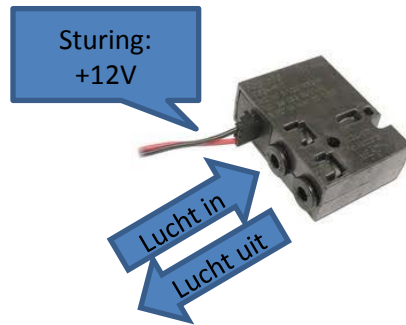


O-600 PNEUMATIC VALVE

Required knowledge Ohm's Law, Pneumatic Valve

	<p>pneumatics, pneumatic valve</p>
---	------------------------------------

With a Pneumatic valve we can use our Brainbox to control pneumatic cylinders or other pneumatic equipment.

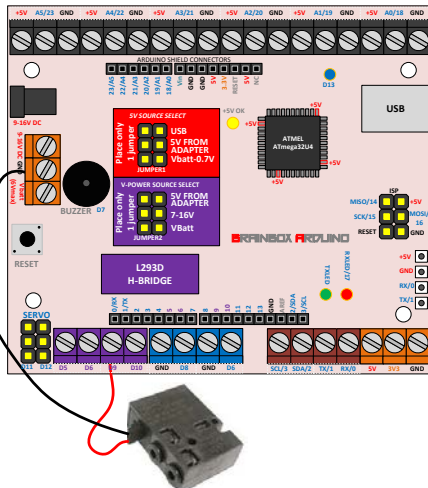


Pneumatic Valve	Own choice or Mead Isonic ( <a href="http://www.matrixmultimedia.com/automatics.php">http://www.matrixmultimedia.com/automatics.php</a> )
-----------------	---

- Connect the pneumatic valve to an external power supply and determine these things:
  - What is the working voltage of this Valve 5V, 9V, 12V?
  - How much current does this valve draw from the supply? (should be less than 600mA else choose for a Relay or Mosfet)
- Put jumper 2 in the correct position

Valve voltage	Adapter voltage	Jumper 2 position
5V	9V of 12V, ...	5V from adapter
9V	9V	7-16V
12V	12V	7-16V

- Connect the valve between one of the outputs of the L293D (D5, D6, D9, D10) and the GND of the Brainbox. This way we can drive 4 valves with the Brainbox.



4. Use the programming sequence: **"O-600"** and make pin D9 high when you want that air can pass the valve. Make pin D9 low when you do not want air to pass the valve.