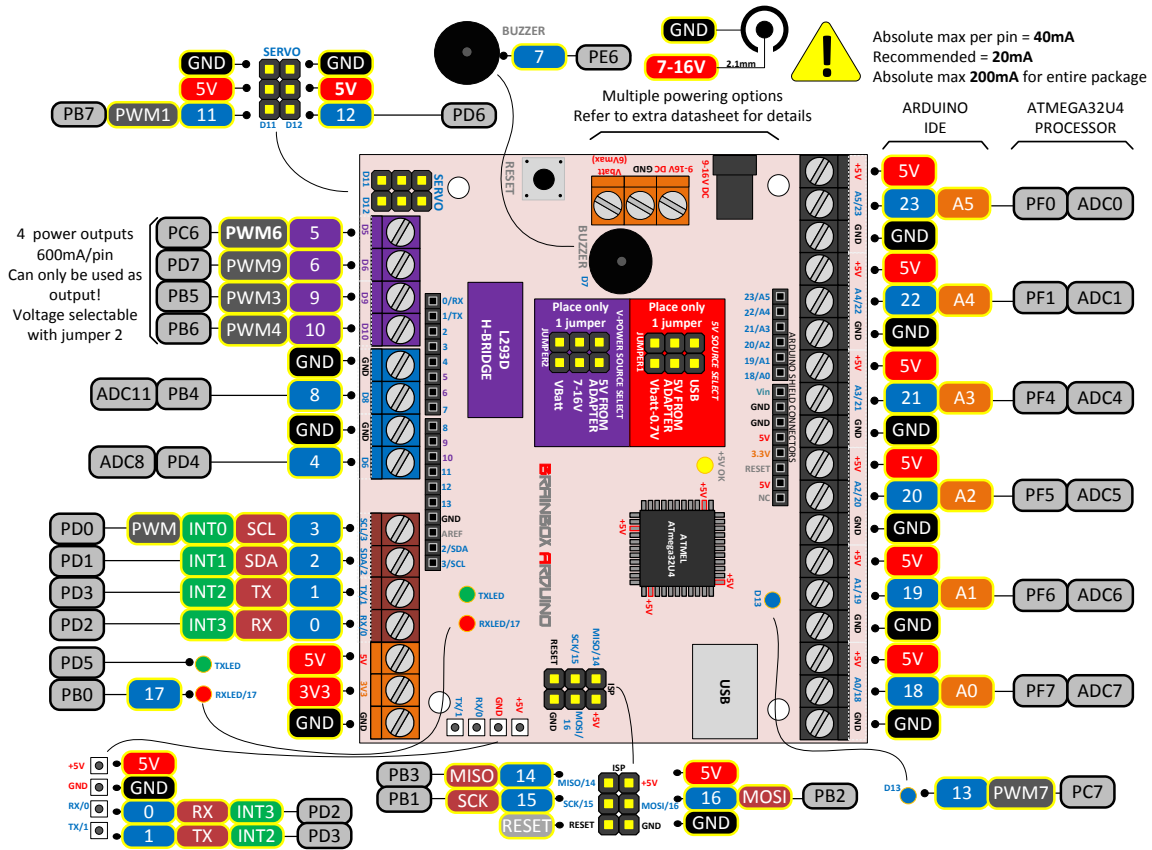


O-POWER – DRIVING CURRENTS OVER 600MA



Currents exceeding 600mA can't be driven directly from any pin of our Brainbox Arduino.

- When using a Mosfet with a U_{gs} of 5Volt or less, you could use any IO pin of the BBA to drive this mosfet
- When using a Mosfet with a U_{gs} that exceeds 5 Volt, you need to use one of the 4 power output pins and place jumper 2 to select the correct output voltage at these pins. (see 'power options')
- When using a Relay with a coilcurrent under 600mA, use one of the 4 power output pins and place jumper 2 to select the correct output voltage at these pins. (see 'power options')