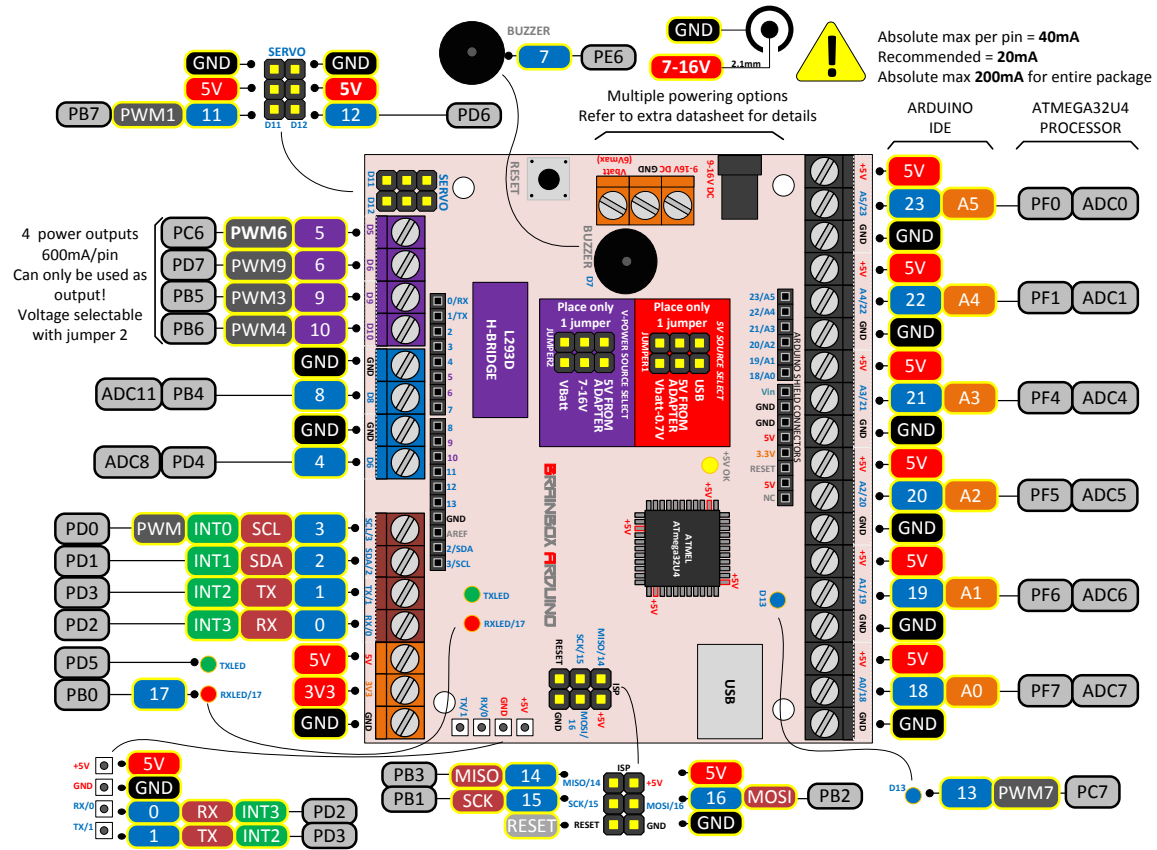
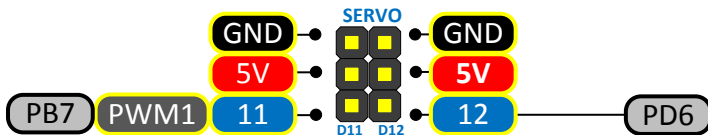


O-SERVO – DRIVING A SERVMOTOR

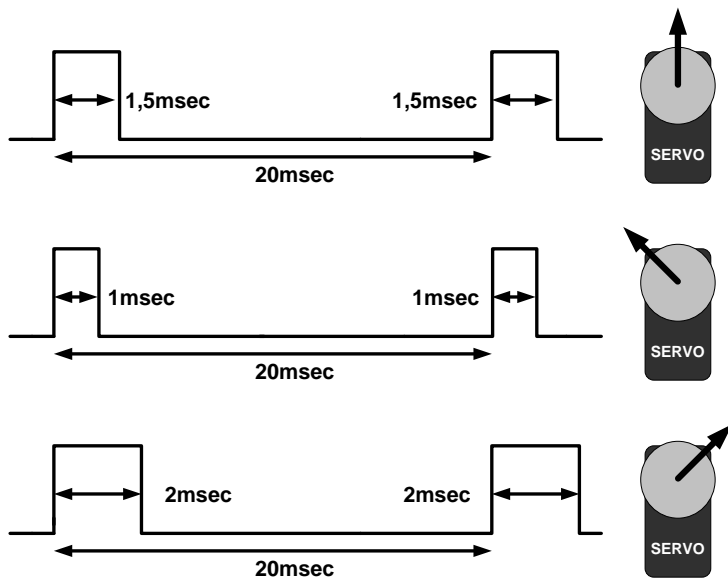


Servo signals are generated in software so they can be generated at any IO pin of our Brainbox Arduino.

Our Brainbox Arduino has 2 dedicated servo connectors.



Servo motors draw current out of the 5V pin, but do not draw any current from the IO pin of the uC.



The period of a servo signal is always 20msec

The on time is usually something between 1msec and 2msec.