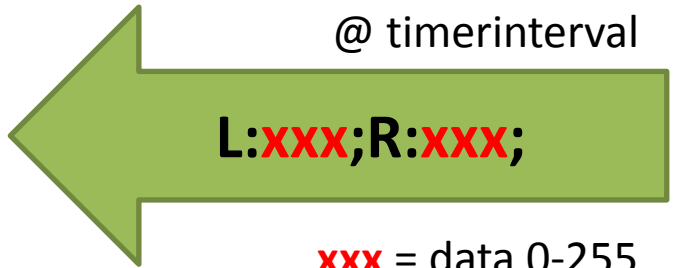
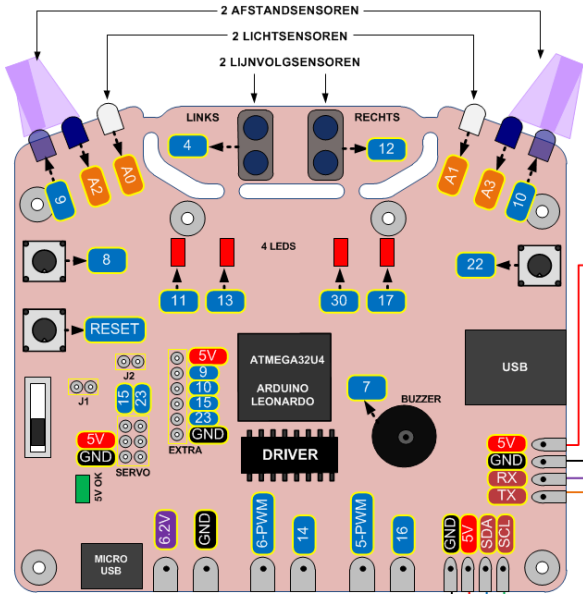


ARDUINO PIN LAYOUT



xxx = data 0-255

HC06 Bluetooth module



@ timerinterval x 2



xxx = data 0-1024
yyy = data 0-1024
zzz = data 0-1024

